

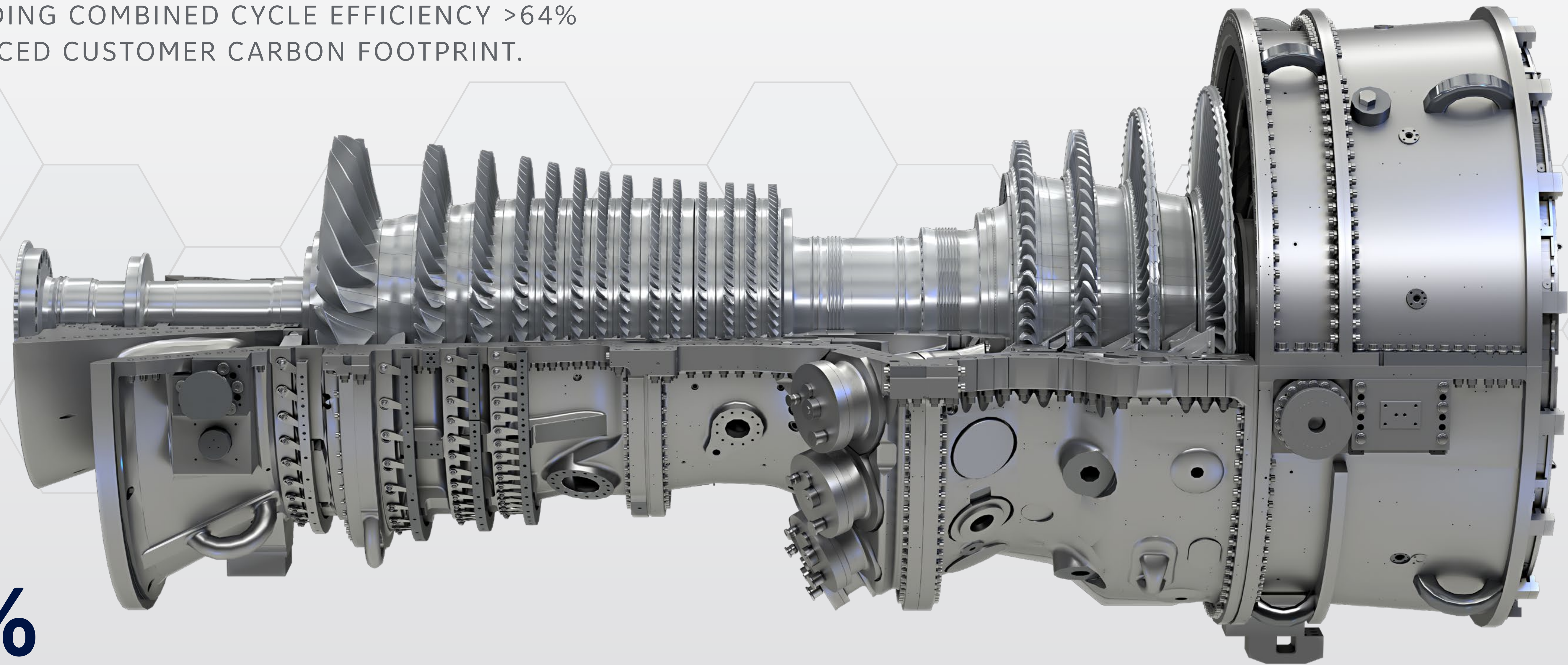
9HA

HEAVY DUTY GAS TURBINE



448-571 MW SIMPLE CYCLE OUTPUT **680-838 MW** 1X1 COMBINED CYCLE OUTPUT **1,363-1,680 MW** 2X1 COMBINED CYCLE OUTPUT **64%** COMBINED CYCLE EFFICIENCY 50 Hz

OUTSTANDING COMBINED CYCLE EFFICIENCY >64%
FOR REDUCED CUSTOMER CARBON FOOTPRINT.



50%

HYDROGEN (H₂) CAPABLE WITH A
TECHNOLOGY PATHWAY ENABLING A FUTURE

100%

[ge.com/gas-power](https://www.ge.com/gas-power)

READY TODAY.
REINVENTING TOMORROW.